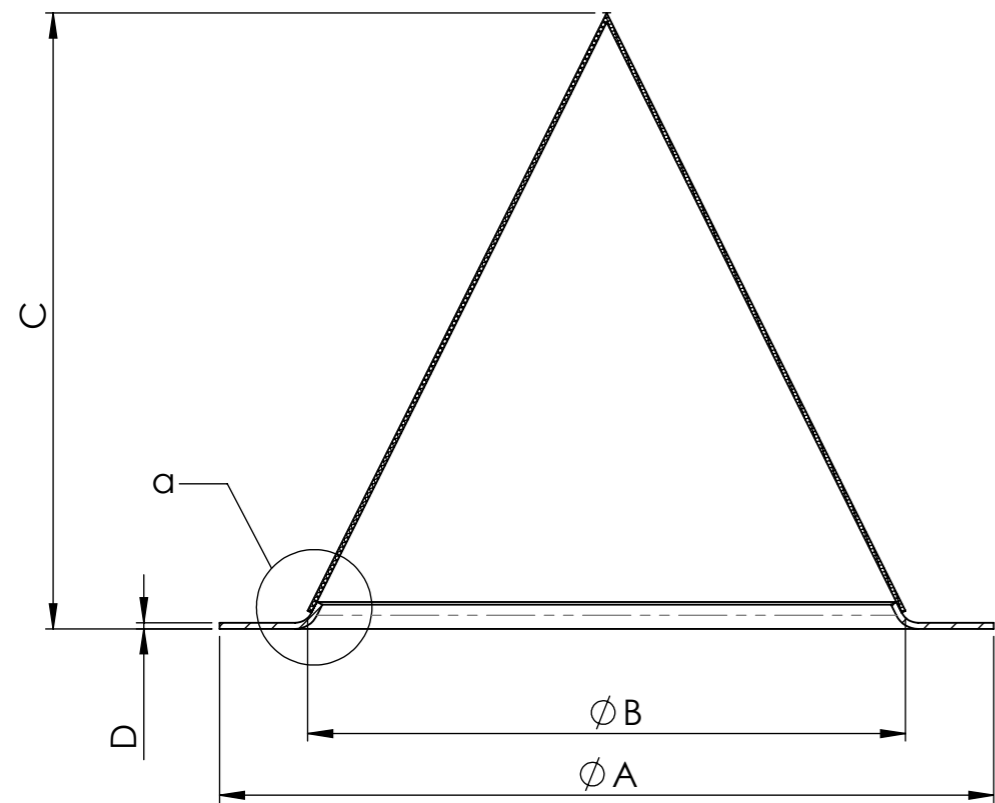


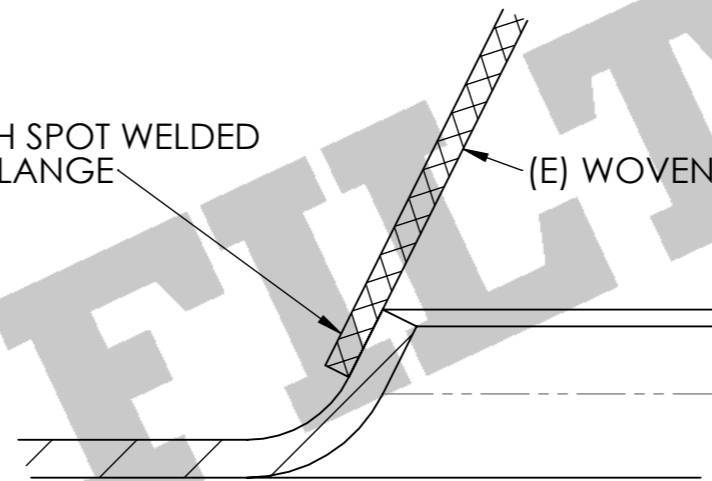
A	FLANGE OD	
B	CONE BASE DIAMETER	
C	HEIGHT	
D	FLANGE THICKNESS	
E	MESH OR MICRON	



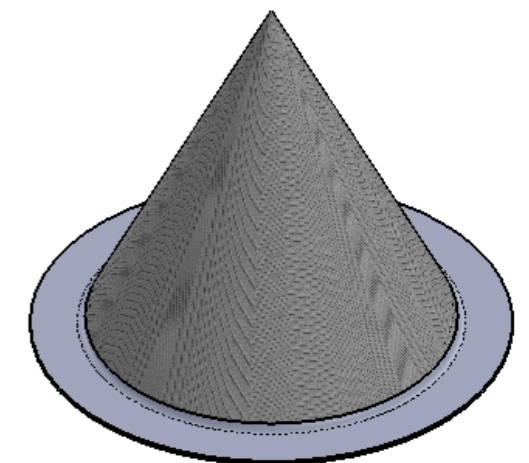
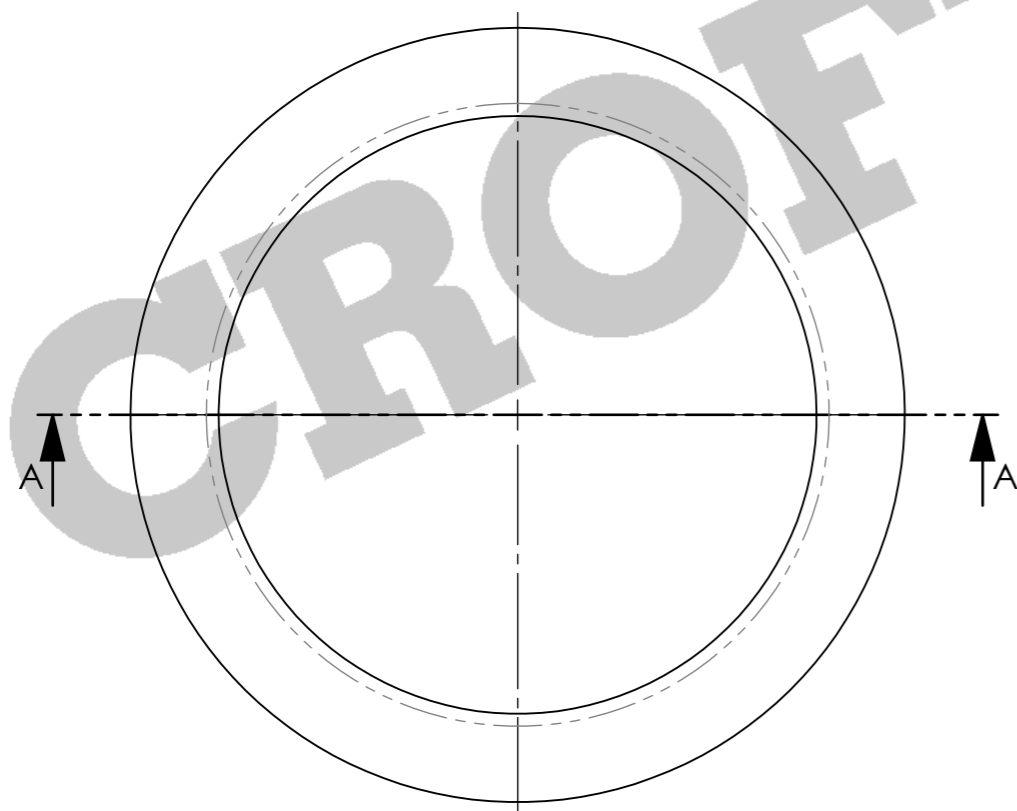
SECTION A-A
SCALE 1 : 1.25



MESH SPOT WELDED
TO FLANGE

(E) WOVEN WIRE MESH



DETAIL a
SCALE 5 : 1



 CROFT FILTERS www.filters.co.uk	 THIRD ANGLE PROJECTION		DO NOT SCALE DRAWING ALL DIMENSIONS IN MM UNLESS OTHERWISE STATED		
	PROPRIETARY AND CONFIDENTIAL <small>THE INFORMATION CONTAINED IN THIS DRAWING IS THE SOLE PROPERTY OF CROFT ENGINEERING SERVICES. ANY REPRODUCTION IN PART OR AS A WHOLE WITHOUT THE WRITTEN PERMISSION OF CROFT ENGINEERING SERVICES IS PROHIBITED.</small>		TITLE: <h2 style="text-align: center;">CROFT CONE - MESH ONLY</h2>		
MATERIAL: QTY:		NAME: DATE:		DWG NO. <h3 style="text-align: center;">CF522-181018</h3>	
DRAWN: A.P.M. 18/10/2018		REV'D:			REVISION 0
CHK'D: D.T. 18/10/2018		SHEET NO. A3			
REV'D:		SCALE: 1:1.25 SHEET 1 OF 1			