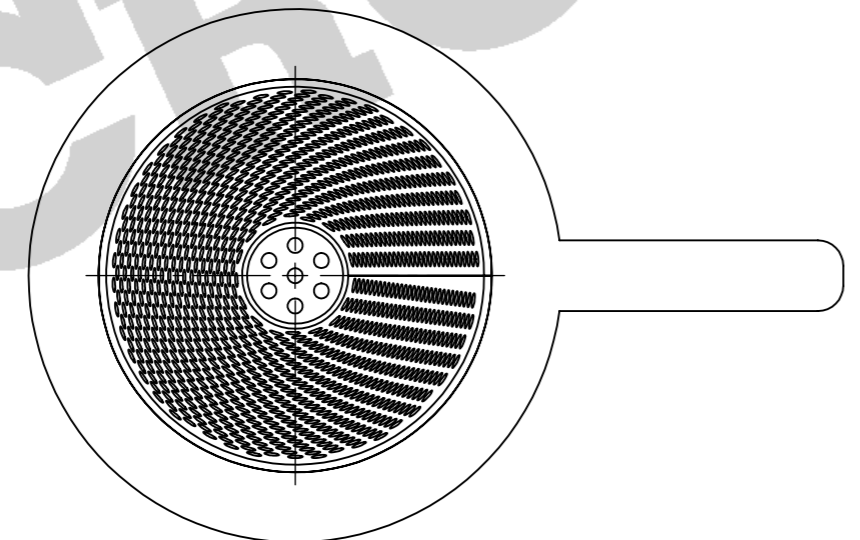
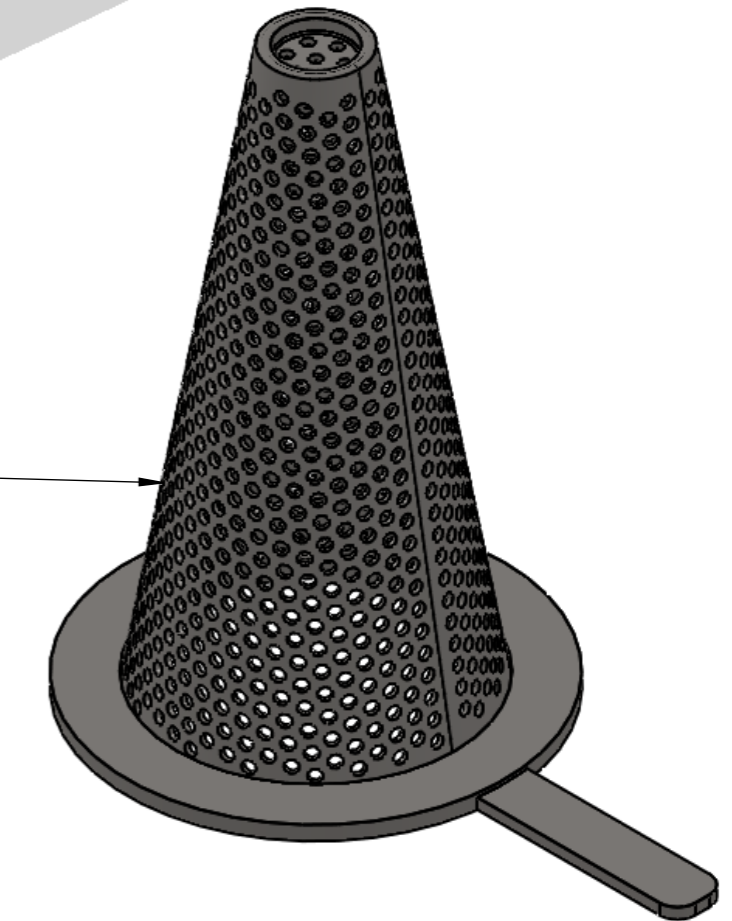
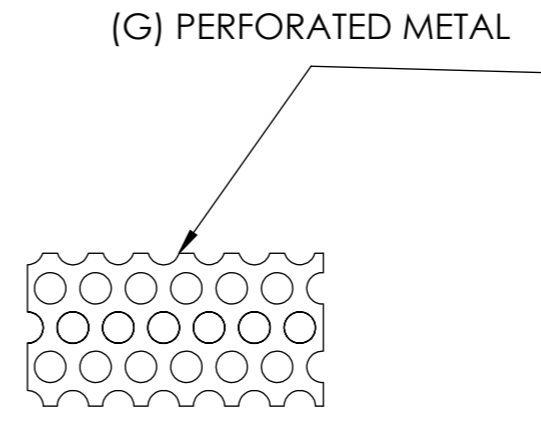
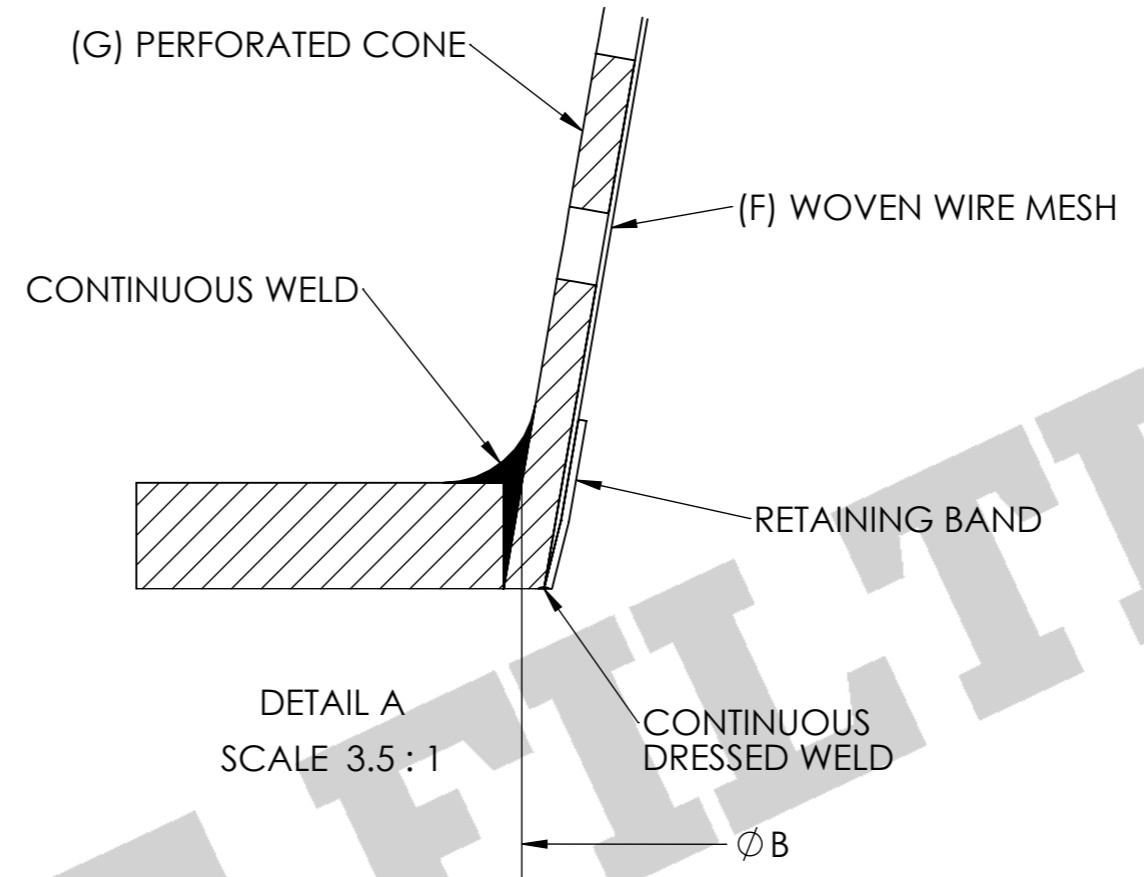
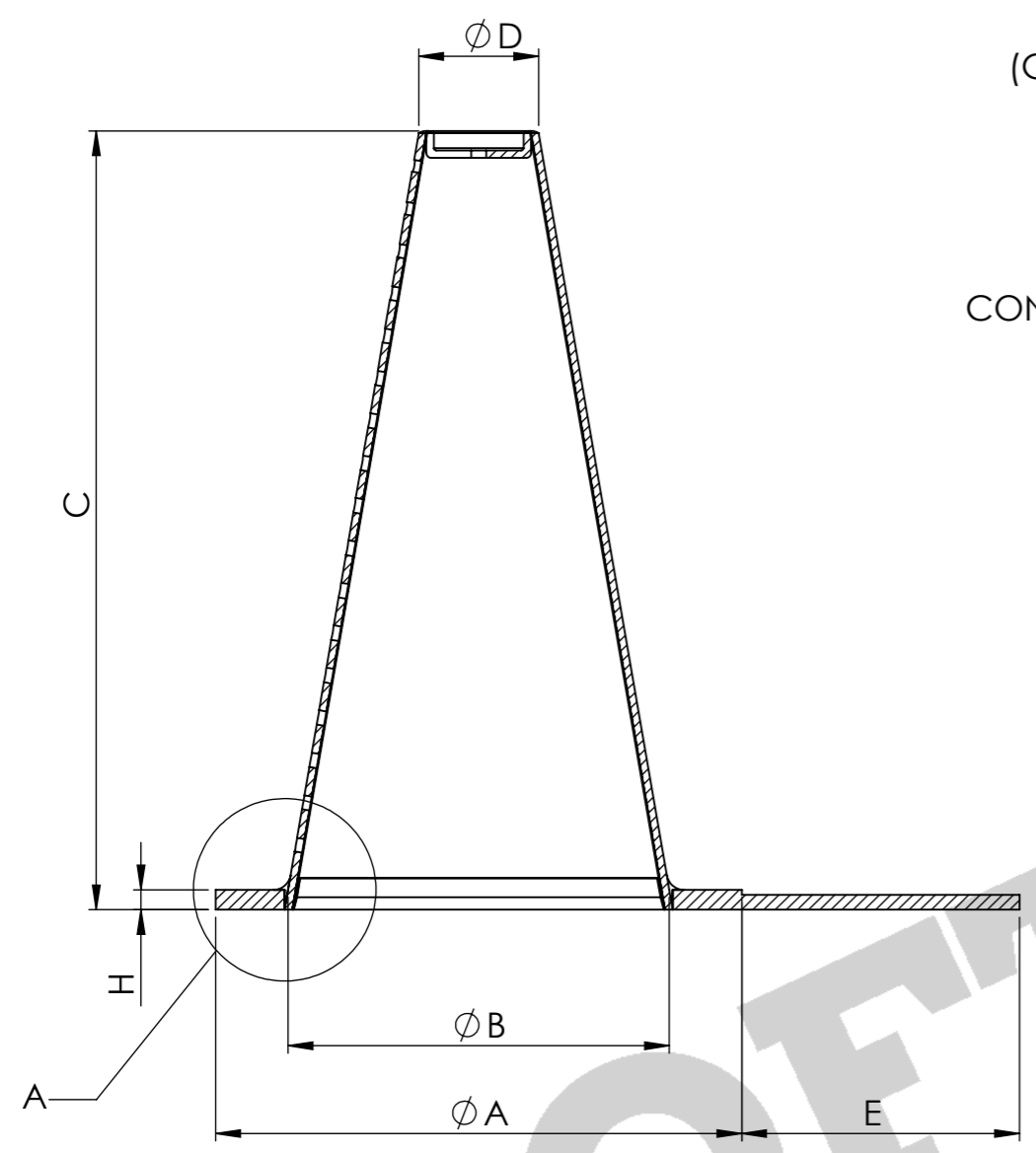

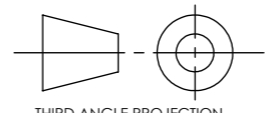


A	FLANGE OD	
B	CONE OD	
C	HEIGHT	
D	CONE TOP OD	
E	HANDLE LENGTH	
F	WOVEN WIRE MESH	
G	HOLE SIZE AND PITCH	
H	FLANGE THICKNESS	



 CROFT FILTERS www.filters.co.uk	 THIRD ANGLE PROJECTION	DO NOT SCALE DRAWING		ALL DIMENSIONS IN MM UNLESS OTHERWISE STATED	
		PROPRIETARY AND CONFIDENTIAL			
THE INFORMATION CONTAINED IN THIS DRAWING IS THE SOLE PROPERTY OF CROFT ENGINEERING SERVICES. ANY REPRODUCTION IN PART OR AS A WHOLE WITHOUT THE WRITTEN PERMISSION OF CROFT ENGINEERING SERVICES IS PROHIBITED.	MATERIAL:			DWG NO. CF493-141117	
	QTY				
		NAME	DATE	0	
	DRAWN	A.P.M	14/11/2017		
	CHK'D	D.T	14/11/2017		
REV'D					